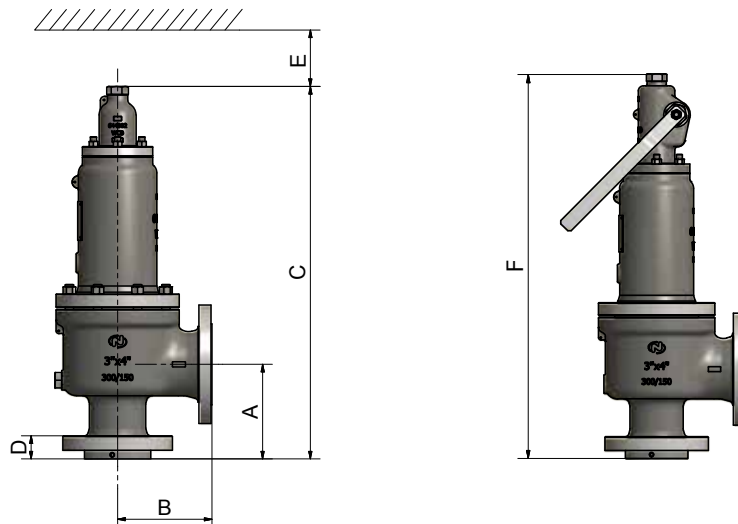




■ General Dimensions for 6400 Series

"Orifice API 526"	Rating	Inlet	Outlet	Flow Area (in ²)	General Dimensions (inch)						Standard	Lever				
					A	B	C	D	E	F	Weight - (lbs)					
D	150 x 150	1"	2"	0.12	4.13	4.49	16.61	1.14	3.54	19.29	35.3	37.5				
	300L x 150							1.26								
	300 x 150							1.34								
	600 x 150	1½"	2"		5.51	19.37	1.73	21.89	68.3	72.8						
	900 x 300				1½"	3"	5.51	7.01	20.39	2.36	22.91	86.0	90.4			
	1500 x 300															
2500 x 300																
E	150 x 150	1"	2"	0.22	4.13	4.49	16.61	1.14	3.54	19.29	35.3	37.5				
	300L x 150							1.26								
	300 x 150							1.34								
	600 x 150	1½"	2"		5.51	19.37	1.73	21.89	68.3	72.8						
	900 x 300				1½"	3"	5.51	7.01	20.39	2.36	22.91	86.0	90.4			
	1500 x 300															
2500 x 300																
F	150 x 150	1½"	2"	0.35	4.88	4.76	17.68	1.34	3.54	22.17	57.3	59.5				
	300L x 150					5.98		1.46								
	300 x 150							1.61								
	600 x 150	1½"	3"		6.50	19.76	1.73	22.28	75.0	79.4						
	900 x 300				1½"	3"	5.51	7.01	20.39	2.36	22.91	88.2	92.6			
	1500 x 300															
2500 x 300																
G	150 x 150	1½"	2"	0.56	4.88	4.76	19.65	1.34	3.54	22.17	59.5	63.9				
	300L x 150					5.98		1.46								
	300 x 150							1.61								
	600 x 150	1½"	3"		6.50	19.76	1.73	21.89	77.2	81.6						
	900 x 300				1½"	3"	6.14	6.77	25.31	2.24	3.94	27.52	123.5	130.1		
	1500 x 300						2.76	130.1	136.7							
2500 x 300																
H	150 x 150	1½"	3"	0.89	5.12	4.88	19.88	1.57	3.54	22.40	61.7	63.9				
	300L x 150							2"					3"	6.06	6.38	24.25
	300 x 150	25.20	1.73		27.40											
	600 x 150	25.31	2.24		27.52	116.8	123.5									
	900 x 150	1500 x 300	123.5		130.1											
1500 x 300																
J	150 x 150	2"	3"	1.41	5.39	4.88	24.53	1.42	4.72	26.73	83.8	90.4				
	300L x 150							3"					4"	7.24	7.13	28.39
	300 x 150	1.97														
	600 x 150	28.11	2.52		30.79	187.4	191.8									
	900 x 150	1500 x 300	187.4		191.8											
1500 x 300																
K	150 x 150	3"	4"	2.05	6.14	6.38	27.28	1.61	4.72	29.96	145.5	152.1				
	300L x 150							7.74					7.13	28.39	1.77	31.06
	300 x 150														1.97	
	600 x 150		6"		8.50	31.61	2.20	34.29	244.7	251.3						
	900 x 150						7.76				31.57	2.60	34.25			
	1500 x 300															

"Orifice API 526"	Rating	Inlet	Outlet	Flow Area (in ²)	General Dimensions (inch)						Standard	Lever					
					A	B	C	D	E	F	Weight - (lbs)						
L	150 x 150 300L x 150	3"	4"	31.62	6.14	6.50	27.28	1.61	4.72	29.96	147.7	152.1					
	300 x 150 600 x 150 900 x 150 1500 x 150												4"	6"	7.05	7.13	34.29
	7.99	34.21	2.13		38.23	260.1	273.4										
	2.36	34.96	2.72		38.98	275.6	288.8										
	7.76				8.74	34.96	2.36	38.98	275.6	288.8							
M	150 x 150 300L x 150	4"	6"	4.03	7.01	7.24	34.41	1.69	5.91	38.35	260.1	273.4					
	300 x 150 600 x 150 900 x 150							1.97					38.23	275.6	288.8		
	7.99							34.21					2.13	38.98	275.6	288.8	
	7.76							8.74					34.96	2.36	38.98	275.6	288.8
	7.76							8.74					34.96	2.36	38.98	275.6	288.8
N	150 x 150 300L x 150	4"	6"	4.99	7.76	8.27	34.69	1.69	5.91	38.70	260.1	273.4					
	300 x 150 600 x 150 900 x 150							1.97					38.98	132.3	288.8		
	8.74							34.96					2.13	38.98	132.3	288.8	
	2.36							34.96					2.36	38.98	132.3	288.8	
	7.76							8.74					34.96	2.36	38.98	132.3	288.8
P	150 x 150 300L x 150	4"	6"	7.22	7.13	9.02	35.12	1.73	5.91	39.13	260.1	273.4					
	300 x 150 600 x 150 900 x 150							2.01					40.08	275.6	288.8		
	8.86							10.00					36.06	2.32	40.08	275.6	288.8
	2.56							36.06					2.56	40.08	275.6	288.8	
	7.13							9.02					35.12	1.73	39.13	260.1	273.4
Q	150 x 150 300L x 150	6"	8"	12.17	9.45	9.49	41.57	1.77	5.91	45.59	412.3	425.5					
	300 x 150 600 x 150							2.20					456.4	469.6			
	2.72							45.59					412.3	425.5			
	9.45							9.49					41.57	1.77	45.59	412.3	425.5
R	150 x 150 300L x 150	6"	8"	17.52	9.45	9.49	41.57	1.77	5.91	45.59	421.1	434.3					
	300 x 150 600 x 150	6"	10"					2.20					123.5	480.6			
	2.72	45.59	522.5					529.1									
	9.45	9.49	41.57					1.77					45.59	421.1	434.3		
T	150 x 150 300L x 150	8"	10"	28.52	10.87	10.98	50.00	2.01	5.91	53.74	661.4	692.3					
	300 x 150							2.56					694.5	725.3			
	10.87							10.98					50.00	2.01	53.74	661.4	692.3
V	150 x 150 300 x 150	10"	14"	48.67	12.99	14.57	60.24	2.36	8.66	61.22	1135.4	1157.4					
	1168.4										1190.5						
W	150 x 150 300 x 150	12"	16"	70.06	14.96	15.35	66.93	2.36	8.66	67.91	1554.3	1576.3					
	1587.3										1609.4						



General Dimensions for 6400 Series